







Control- and terminal boxes
Type FTE (E/I/F)_ xxxxxx

Fluidtechnik **fiedler**®

Housing made of polyester, aluminum and stainless steel for use in hazardous areas

1. terminal boxes

<p>Polyester junction box FTE (E/I)P xxxxxx</p> <ul style="list-style-type: none">- Glass fibre reinforced polyester enclosure system- Colour RAL9011, graphite black- Wide range of sizes of 80 x 75 x 55 mm to 600 x 250 x 121 mm <i>(preferred number, more sizes available on request)</i>- Add in power dissipation of 7,5W to 35W	
<p>Aluminium junction box FTE (E/I)A xxxxxx</p> <ul style="list-style-type: none">- Enclosure systems of diecast aluminium- Colour RAL7001, silvergrey- Wide range of sizes of 75 x 80 x 56 mm to 600 x 600 x 202 mm <i>(preferred number, more sizes available on request)</i>- Add in power dissipation of 7,0W to 250W	
<p>Stainless steel junction box FTE (E/I)V/W xxxxxx</p> <ul style="list-style-type: none">- Enclosure system of stainless steel, V2A(1.4301)/V4A(1.4404)- grinded surface, grain size 240- Wide range of sizes of 100 x 100 x 60 mm to 800 x 1000 x 300 mm <i>(preferred number, more sizes available on request)</i>- Add in power dissipation of 10W to 200W	

- ✓ **Explosion protection**  **II 2G Ex e II T4...T6 (increased safety)**
Ex ia IIC T6 (intrinsic safety)
Ex e (ia) IIC T4...T6 (mixed fitting)
- ✓ **Ambient temperature of -50°C to +60°C**
(depending on body size, installations, power dissipation and the required temperature class)
- ✓ **IP protection IP66**
- ✓ **EC- Type examination certificate TÜV 11 ATEX 7777 x**



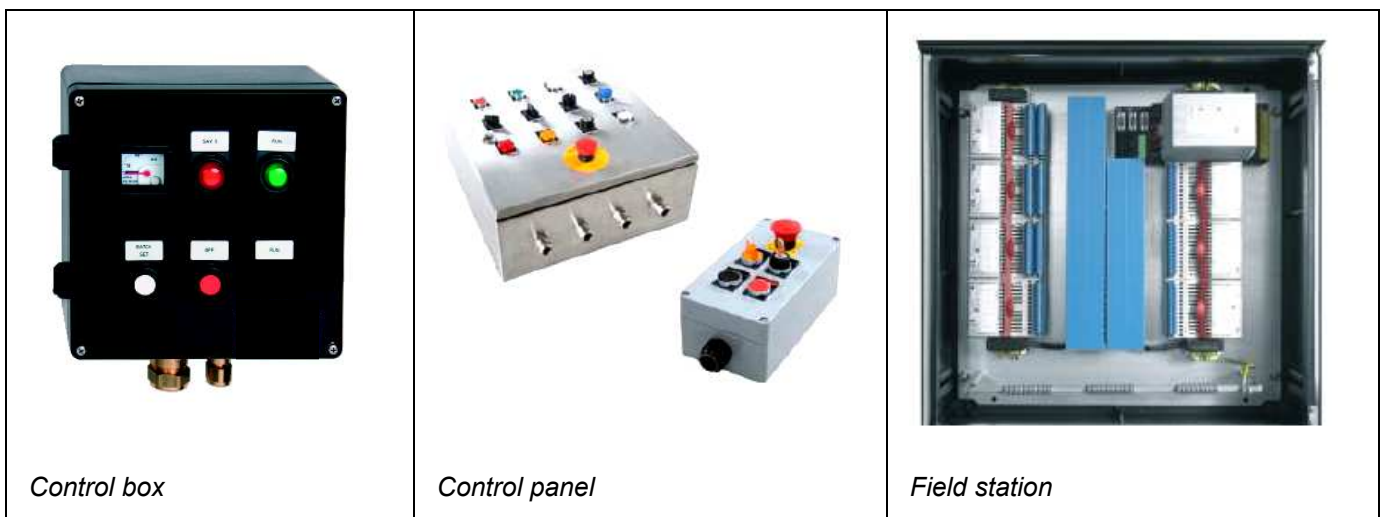
Control- and terminal boxes
Type FTE (E//F)_ xxxxxx

Fluidtechnik **fiedler**®

- ✓ Design as an empty enclosure for individual fittings or Ex e / Ex i junction boxes
- ✓ The junction boxes can be individually equipped with terminals and fittings
- ✓ Wide range of applications, eg.:
 - for wiring of valves and motors
 - *the energy distribution in facilities*
 - *as motor terminal box*
 - *for intrinsically safe circuits*

The junction boxes are used for connecting and branching of the incoming and outgoing cables. Cover and base of the housing are screwed with captive bolts in stainless steel and sealed to IP66.

2. Control boxes and control panels FTE F(P/A/V) xxx xxx



- ✓ Control boxes and control panels for gas group A, B and C, category 2G, for use in Zone 1 and 2
- ✓ Housing made of aluminum, stainless steel or polyester
- ✓ IP protection IP65 / IP66 (depending on model)
- ✓ Individual equipment with certified switches, buttons, warning lights, gauges, terminals, etc.
- ✓ Operating temperature according installations
- ✓ EC-Type Examination Certificate TÜV 11 ATEX 7777 x
- ✓ Ambient temperature of **-50°C to +60°C**
(depending on body size, installations, power dissipation and the required temperature class)
- ✓ Explosion protection II 2G Ex e dm ia/ib IIC, IIB, T4...T6



Control- and terminal boxes
Type FTE (E/I/F)_ xxxxxx



By equipping the individual control units with separately certified measurement, control and display components they are used for numerous applications, such as:

- *Controlling machines*
- *Regulation of processes*
- *Evaluation of control signals*
- *Start of motors*
- *Viewing the process and / or machine status*

3. Type key

FTE 2 4 xx xx xx 5 (xx xx xx = LxBxH in cm)

	Product type / Kategorie	Designation
E	Ex- Product, Kategorie 2G	
2	E Ex e[ia] IIC T4, T5, T6 I Ex ia IIC T6 F Ex e d m q ia/ib IIB, IIC T4, T5, T6	Control- /Terminal box Ex e Terminal box Ex i Terminal box Ex e Control box
4	A Aluminium P Polyester (black) V stainless steel V2A (304L / 1.4301) W stainless steel V4A (316L / 1.4404)	Material and dimensions Control- and terminal boxes: (W x H x D) in cm
5	Manufacturer ID A...Z	

Examples:

FTE EP 122209 A Ex e- Polyester- junction box, 120x220x91 mm
FTE EA 161609 B Ex e- Aluminium- junction box, 160x160x91 mm
FTE EV 202012 A Ex e- stainless steel- junction box, 200x200x120 mm

FTE IP 122209 P Ex i- Polyester- junction box, 120x220x91 mm
FTE IA 161609 P Ex i- Aluminium- junction box, 160x160x91 mm
FTE IV 202012 A Ex i- stainless steel- junction box, 200x200x120 mm

FTE FP 602512 R Ex e- Polyester- control box, 600x250x121 mm
FTE FA 606020 P Ex e- Aluminium- control box, 600x600x202 mm
FTE FV 405016 T Ex e- stainless steel- control box, 400x500x161 mm

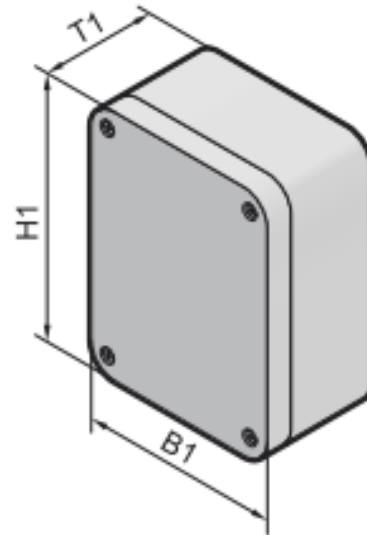
Related documents:: operating instructions BAL-FTE [manual Control- and junction boxes]



Control- and terminal boxes
Type FTE (E/I/F)_ xxxxxx

Fluidtechnik **fiedler**®

4. Dimensions standard housing FTE xP (Polyester)



Type	Dimensions /mm		
	B1	H1	T1
<i>FTE xP 08 08 06 E</i>	80	75	55
<i>FTE xP 11 08 06 E</i>	110	75	55
<i>FTE xP 16 08 06 E</i>	160	75	55
<i>FTE xP 19 08 06 E</i>	190	75	55
<i>FTE xP 12 12 09 E</i>	122	120	90
<i>FTE xP 16 16 09 E</i>	160	160	91
<i>FTE xP 22 12 09 E</i>	220	120	90
<i>FTE xP 26 16 09 E</i>	260	160	90
<i>FTE xP 36 16 09 E</i>	360	160	91
<i>FTE xP 25 25 12 E</i>	255	250	120
<i>FTE xP 40 25 12 E</i>	400	250	120
<i>FTE xP 40 40 12 E</i>	400	405	120
<i>FTE xP 60 25 12 E</i>	600	250	120

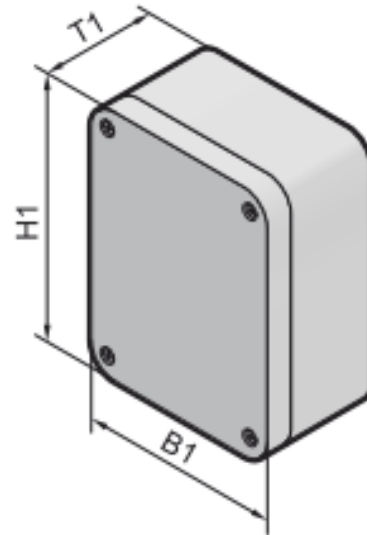
The list are standard housings with a short delivery time. Other dimensions and design (also in stainless steel and aluminium) are also available upon request.



Control- and terminal boxes
Type FTE (E/I/F)_ xxxxxx

Fluidtechnik **fiedler**®

5. Dimensions standard housing FTE xA (Aluminium)



Type	Dimensions /mm		
	B1	H1	T1
FTE xP 08 08 06 R	80	75	55
FTE xP 11 08 06 R	110	75	56
FTE xP 16 08 06 R	160	75	56
FTE xP 19 08 06 R	190	75	56
FTE xP 12 12 09 R	122	120	91
FTE xP 12 12 09 R	160	160	91
FTE xP 22 12 09 R	220	120	91
FTE xP 36 16 09 R	360	160	91
FTE xP 25 25 12 R	255	250	121
FTE xP 40 25 12 R	400	250	121
FTE xP 40 40 12 R	400	405	121
FTE xP 60 25 12 R	600	250	121
FTE xP 25 25 16 R	255	250	161
FTE xP 25 25 16 R	400	250	161
FTE xP 40 40 16 R	400	405	201

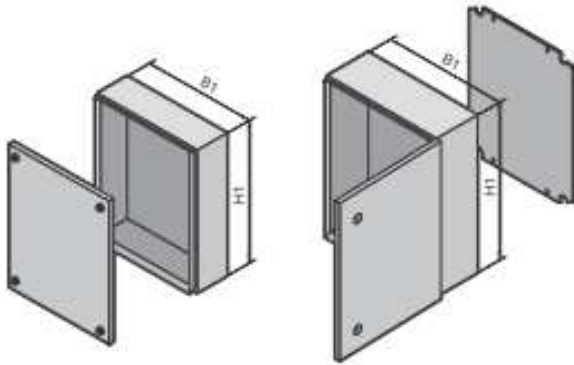
The list are standard housings with a short delivery time. Other dimensions and design (also in stainless steel and aluminium) are also available upon request.



Control- and terminal boxes
Type FTE (E//F)_ xxxxxx

Fluidtechnik **fiedler**®

6. Dimensions Standard Control Boxes FTE FV (stainless steel V2A)



6.1 with screwed cover

Type	dimensions /mm		
	B1	H1	Tiefe
<i>FTE FV 15 15 08 T</i>	150	150	80
<i>FTE FV 20 20 08 T</i>	200	200	80
<i>FTE FV 30 15 08 T</i>	300	150	80
<i>FTE FV 30 20 08 T</i>	300	200	80
<i>FTE FV 30 30 12 T</i>	300	300	120
<i>FTE FV 40 30 12 T</i>	400	300	120

6.2 with hinged door

Type	dimensions /mm		
	B1	H1	Tiefe
<i>FTE FV 20 30 15 T</i>	200	300	155
<i>FTE FV 30 38 21 T</i>	300	380	210
<i>FTE FV 38 30 15 T</i>	380	300	155
<i>FTE FV 38 38 21 T</i>	380	380	210
<i>FTE FV 38 60 21 T</i>	380	600	210
<i>FTE FV 60 60 21 T</i>	600	600	210
<i>FTE FV 60 76 21 T</i>	600	760	210
<i>FTE FV 76 76 30 T</i>	760	760	300
<i>FTE FV 80 100 30 T</i>	800	1000	300

The lists are standard housings with a short delivery time. Other dimensions and design are also available upon request.